



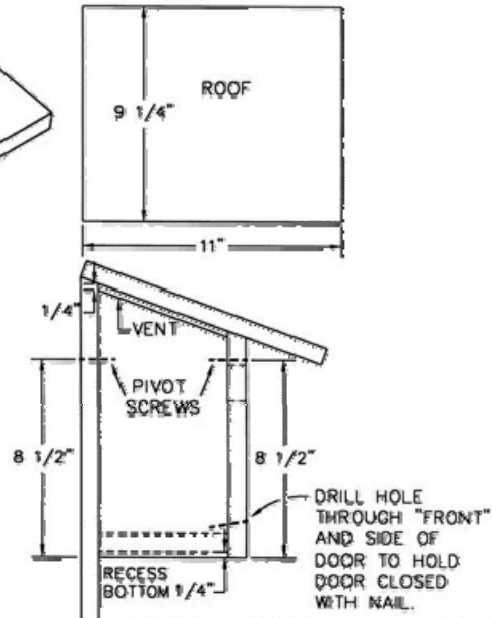
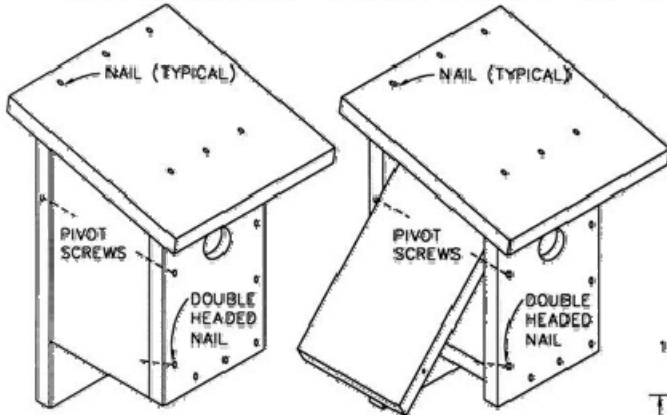
This Document provide by

North American Bluebird Society

www.nabluebirdsociety.com

Make hole 1" for Brown-headed Nuthatch

MOUNTAIN BLUEBIRD NEST BOX (Western Bluebird also where ranges overlap.)



- MATERIALS LIST**
- STANDARD 1" X 6" NOMINAL - 27" LONG (ACTUAL SIZE 3/4" X 5 1/2")
 - STANDARD BOARD 1" X 8" NOMINAL - 24" LONG (ACTUAL SIZE 3/4" X 7 1/4")
 - STANDARD BOARD 1" X 10" NOMINAL - 11" LONG (ACTUAL SIZE 3/4" X 9 1/4")
 - HOLE CUTTER 1 9/16" DIAMETER
 - 1 3/4" GALVANIZED NAILS - APPROX. 20
 - 1 3/4" GALVANIZED SCREW FOR PIVOT POINT - 2
 - DOUBLE HEADED NAIL FOR HOLDING DOOR CLOSED - 1

BELOW ENTRANCE ON BOTH SIDES MAKE SCRATCHES INTO WOOD WITH NAIL FOR CLIMBING TRACTION.

